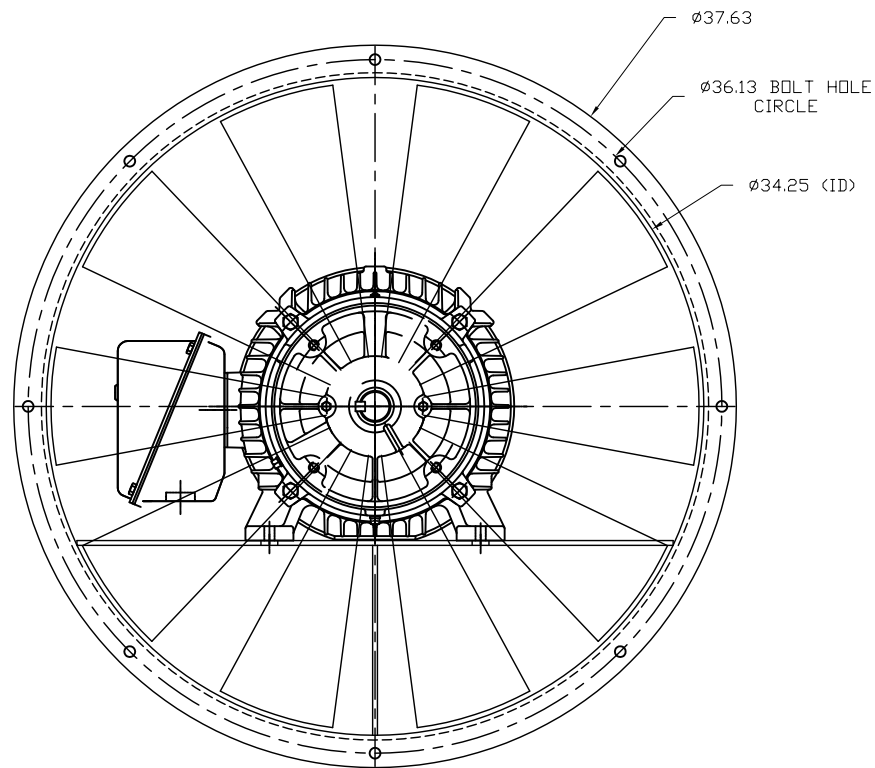
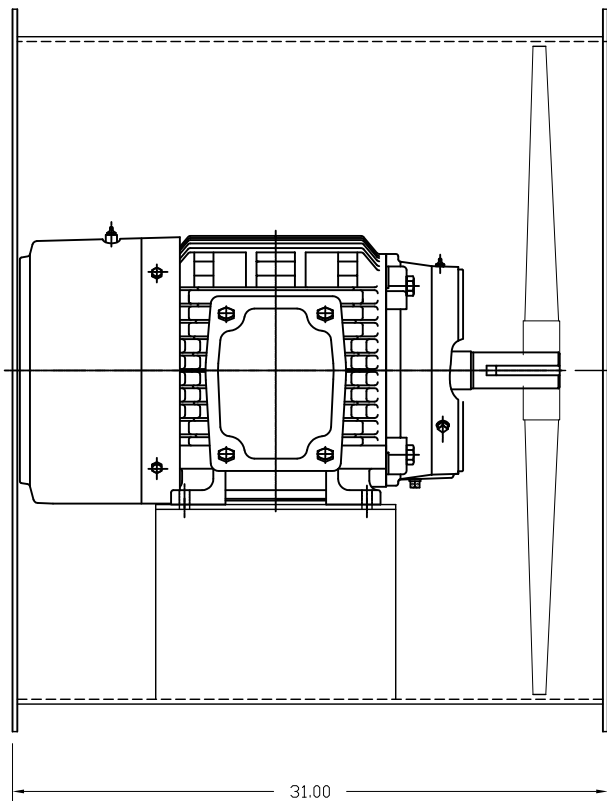


LAST REV.	DATE	DESCRIPTION



TITLE:		<b>34" FAN 25 HP MOTOR</b>	
SCALE:	1:10		
SERIAL #:			
TOTAL QUANTITY <u>  1  </u>		PAGE <u>  1  </u> OF <u>  1  </u> PAGES	

CUSTOMER NAME:	Livios Technologies, LLC.			
ORDER #:	<b>LIVOS TECHNOLOGIES, LLC.</b> 3201 SE RAILROAD AVE. STUART, FL 34997 U.S.A. TEL. 772-220-1524 FAX. 772-220-1524			
DATE:				6-2-08
DWG #:				