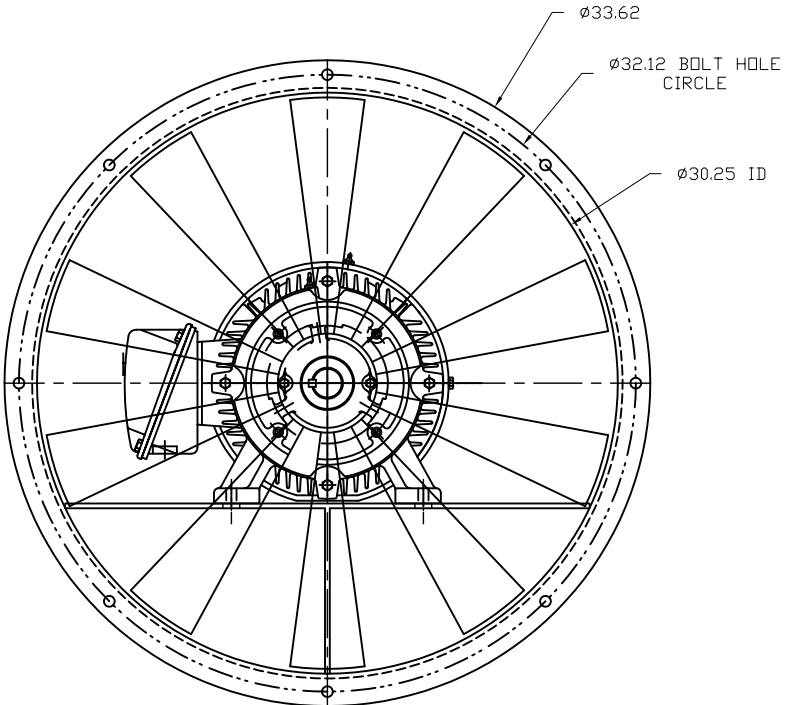
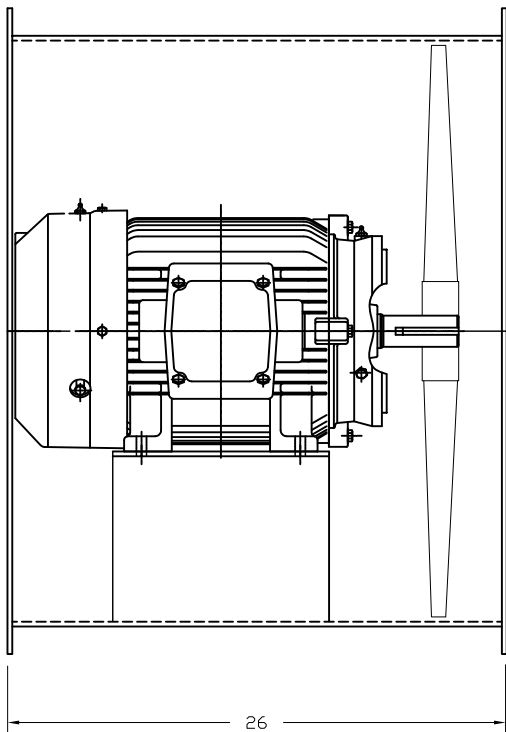


LAST REV.	DATE	DESCRIPTION



NOTE: USE 1/4" MATERIAL

TITLE:		CUSTOMER NAME:	
30" FAN 15 HP MOTOR		Livios Technologies, LLC.	
SCALE: 1:10		ORDER #:	LIVOS TECHNOLOGIES, LLC. 3201 SE RAILROAD AVE. STUART, FL 34997 U.S.A. TEL. 772-220-1524 FAX. 772-220-1524
SERIAL #:		DATE: 6-2-08	
TOTAL QUANTITY <u>1</u>		DWG #:	
PAGE <u>1</u> OF <u>1</u> PAGES			