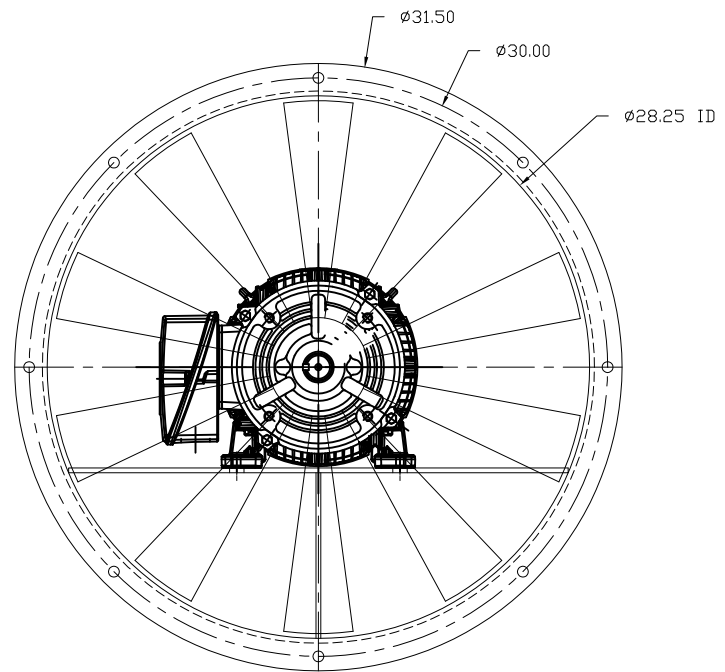
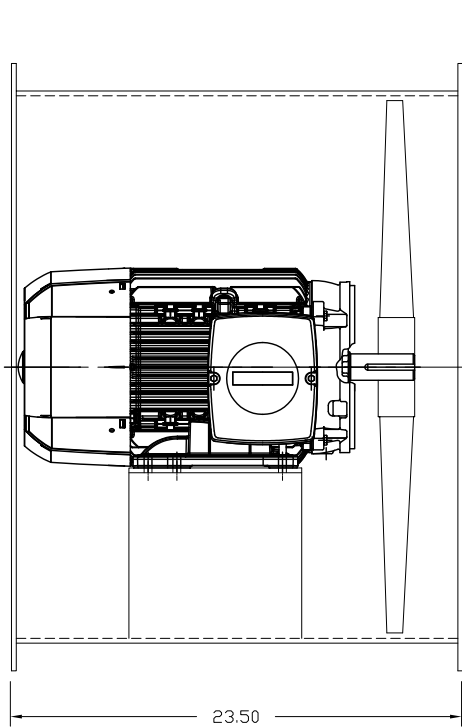


LAST REV.	DATE	DESCRIPTION



TITLE:		28" FAN 7.5 & 10 HP MOTOR	
SCALE:	1:10		
SERIAL #:	XXX-XXXX		
TOTAL QUANTITY <u> 1 </u>		PAGE <u> 1 </u> OF <u> 1 </u> PAGES	

CUSTOMER NAME:	Livios Technologies, LLC.			
ORDER #:	LIVOS TECHNOLOGIES, LLC. 3201 SE RAILROAD AVE. STUART, FL 34997 U.S.A. TEL. 772-220-1524 FAX. 772-220-1524			
DATE:				6-2-08
DWG #:				