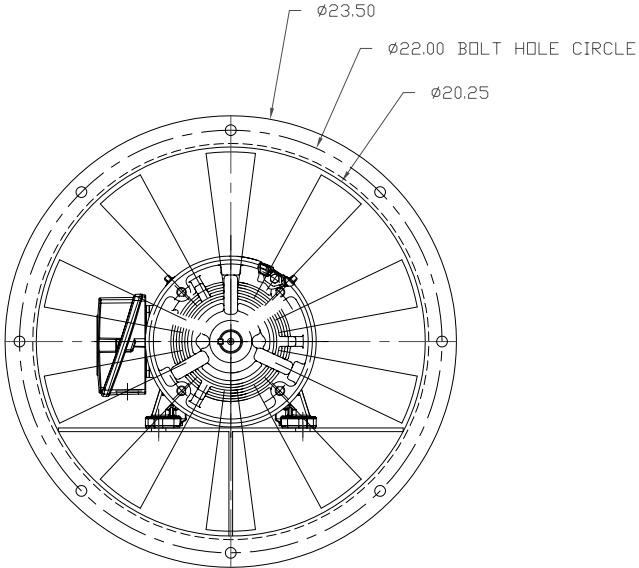
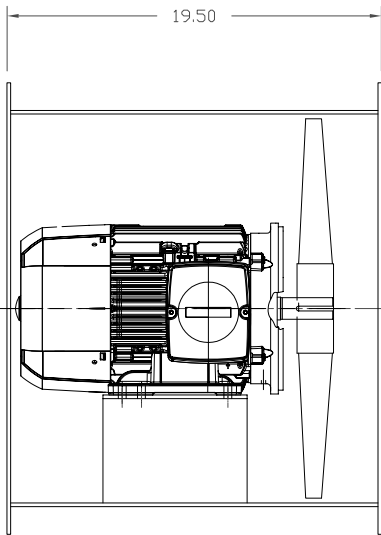


| LAST REV. | DATE | DESCRIPTION |
|-----------|------|-------------|
| | | |



| | | | |
|-----------------------------|------|---|--|
| TITLE: | | 20" FAN 3 & 5 HP MOTOR | |
| SCALE: | 1:10 | | |
| SERIAL #: | | | |
| TOTAL QUANTITY <u> 1 </u> | | PAGE <u> 1 </u> OF <u> 1 </u> PAGES | |

| | | | |
|----------------|--------|--|--|
| CUSTOMER NAME: | | Livos Technologies, LLC. | |
| ORDER #: | | LIVOS TECHNOLOGIES, LLC. 3201 SE RAILROAD AVE. STUART, FL 34997 U.S.A. TEL. 772-220-1524 FAX. 772-220-1524 | |
| DATE: | 6-2-08 | | |
| DWG #: | | | |