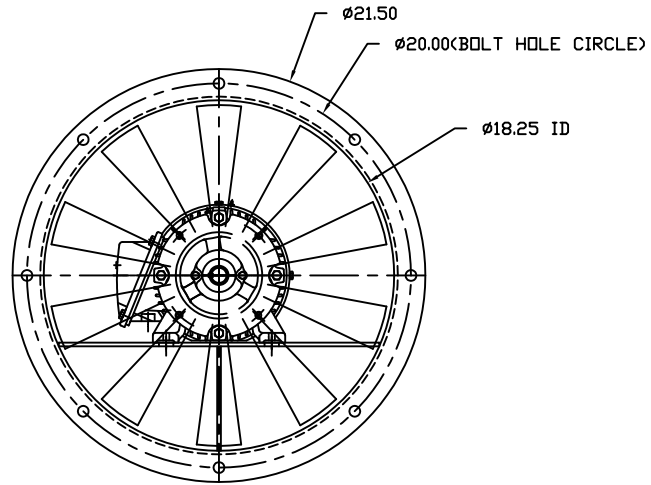
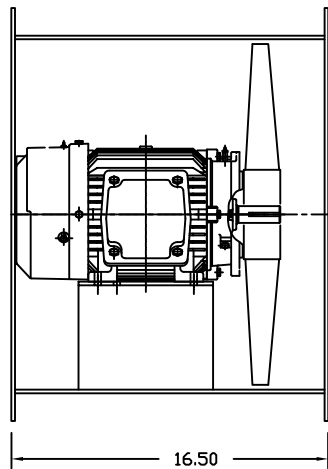


LAST REV.	DATE	DESCRIPTION



TITLE:		18" FAN 1.5 & 2 HP MOTOR	CUSTOMER NAME:	
SCALE:	1:10		ORDER #:	LIVOS TECHNOLOGIES, LLC. 3201 SE RAILROAD AVE. STUART, FL 34997 U.S.A. TEL. 772-220-1524 FAX. 772-220-1524
SERIAL #:			DATE:	
TOTAL QUANTITY <u> 1 </u>		PAGE <u> 1 </u> OF <u> 1 </u> PAGES		

CUSTOMER NAME:		Livos Technologies, LLC. LIVOS TECHNOLOGIES, LLC. 3201 SE RAILROAD AVE. STUART, FL 34997 U.S.A. TEL. 772-220-1524 FAX. 772-220-1524
ORDER #:	DATE:	
DWG #:	DATE:	