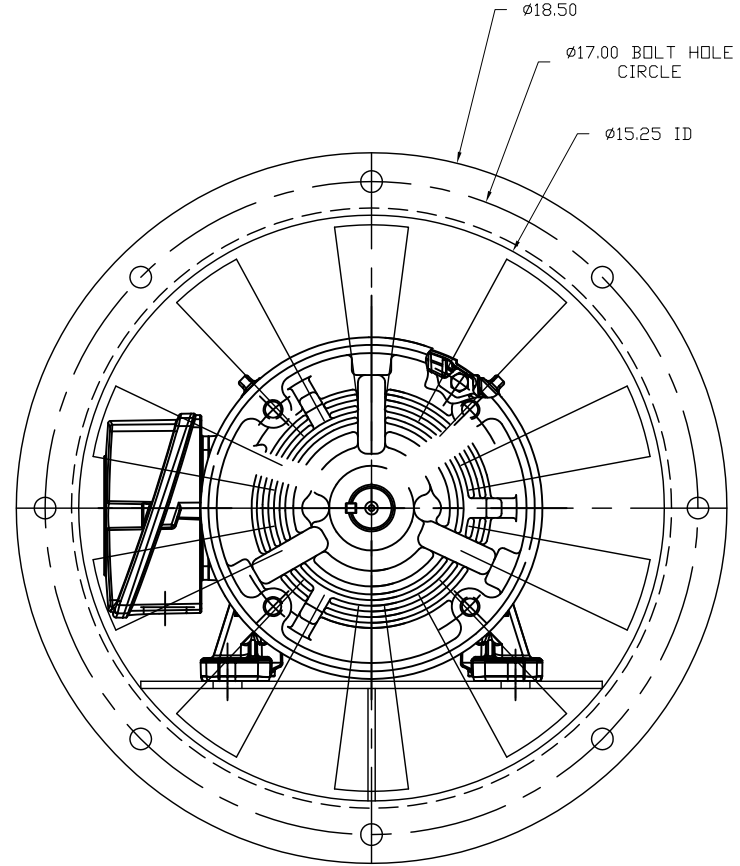
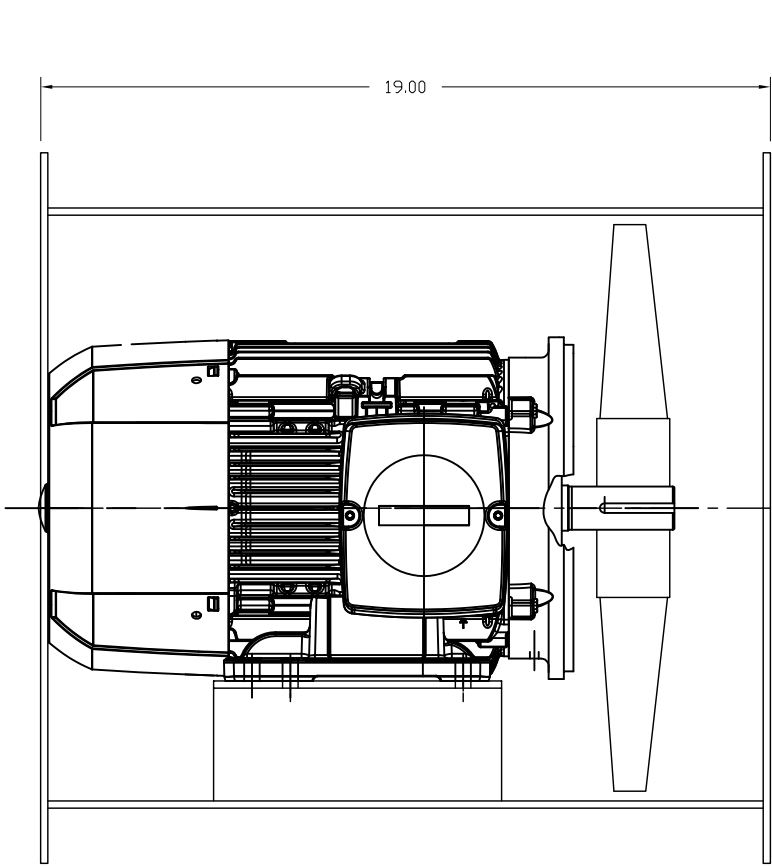


LAST REV.	DATE	DESCRIPTION



TITLE:		15" FAN 3 HP MOTOR
SCALE:	1:5	
SERIAL #:		
TOTAL QUANTITY <u> 1 </u>		PAGE <u> 1 </u> OF <u> 1 </u> PAGES

CUSTOMER NAME:	Livos Technologies, LLC.
ORDER #:	XXX-XX-XXX
DATE:	6-2-08
DWG #:	
LIVOS TECHNOLOGIES, LLC. 3201 SE RAILROAD AVE. STUART, FL 34997 U.S.A. TEL. 772-220-1524 FAX. 772-220-1524	