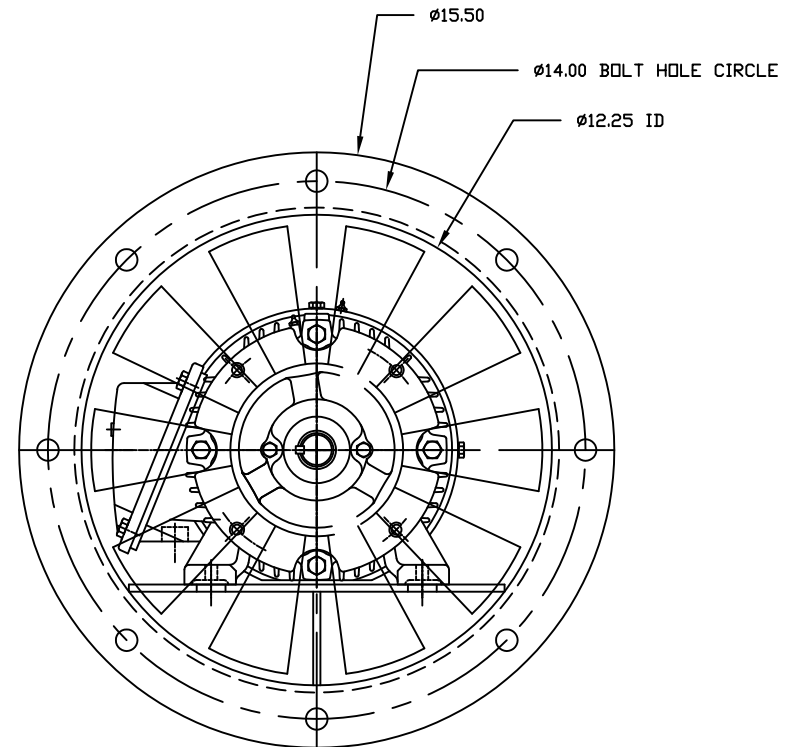
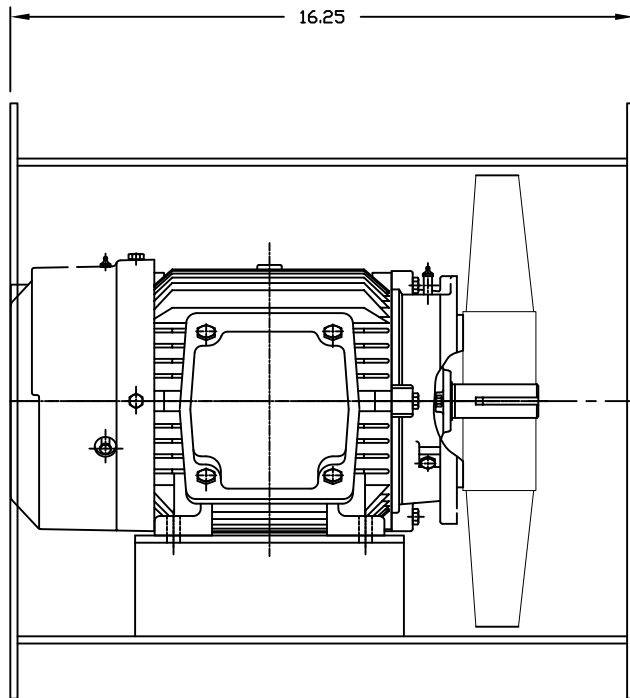


LAST REV.	DATE	DESCRIPTION



TITLE:		12" FAN 1.5 HP MOTOR				
SCALE:	1:5					
DWG #						
TOTAL QUANTITY	1	PAGE	1	OF	1	PAGES

CUSTOMER NAME:	Livos Technologies, LLC.		
ORDER #:	LIVOS TECHNOLOGIES, LLC.		
DATE:	3201 SE RAILROAD AVE. STUART, FL 34997 U.S.A.		
DWG #:	TEL. 772-220-1524 FAX. 772-220-1524		